



MAST SPECIFICATION and RATED CAPACITIES

D20S-7/G20N-7/G20P-7

Mast type	Maximum Fork Height	Maximum Lowered Height	Fully Extended Height	Free Lift	Rated Load Capacities								
					D20S-7/G20N-7/G20P-7								
					Tilt Angle		Load Capacities						
					Single Pneu.		Double Pneu		Single Solid		Single Pneu.		Double Pneu
With Load Backrest	With Load Backrest	FWD	BWD	FWD	BWD	FWD	BWD	LC 500mm	LC 500mm	LC 500mm			
mm	mm	deg	deg	deg	deg	deg	deg	kg	kg	kg			
STD	2,030	1,575	3,290	147	6	10	6	10	6	10	2,000	2,000	2,000
	2,580	1,850	3,840	147	6	10	6	10	6	10	2,000	2,000	2,000
	2,950	2,035	4,210	147	6	10	6	10	6	10	2,000	2,000	2,000
	3,230	2,175	4,490	147	6	10	6	10	6	10	2,000	2,000	2,000
	3,500	2,425	4,765	147	6	10	6	10	6	10	2,000	2,000	2,000
	3,800	2,575	5,065	147	6	10	6	10	6	10	2,000	2,000	2,000
	3,950	2,650	5,215	147	6	10	6	10	6	10	2,000	2,000	2,000
4,350	2,850	5,615	147	6	10	6	10	6	10	2,000	2,000	2,000	
4,960	3,150	6,215	147	6	5	6	10	6	10	1,900	1,925	1,975	
FF	2,580	1,850	3,840	645	6	10	6	10	6	10	2,000	2,000	2,000
	2,950	2,035	4,210	830	6	10	6	10	6	10	2,000	2,000	2,000
	3,230	2,175	4,490	970	6	10	6	10	6	10	2,000	2,000	2,000
	3,600	2,425	4,865	1,220	6	10	6	10	6	10	2,000	2,000	2,000
FFT	3,900	1,900	5,165	695	6	8	6	8	6	8	2,000	2,000	2,000
	4,290	2,035	5,570	830	6	8	6	8	6	8	2,000	2,000	2,000
	4,730	2,175	5,990	970	6	8	6	8	6	8	1,950	1,950	2,000
	4,805	2,200	6,065	995	6	5	6	8	6	8	1,950	1,925	2,000
	5,560	2,525	6,815	1,320	6	3	6	8	6	8	1,650	1,825	1,875
	6,010	2,675	7,265	1,470	6	3	6	8	6	5	1,300	1,750	1,825

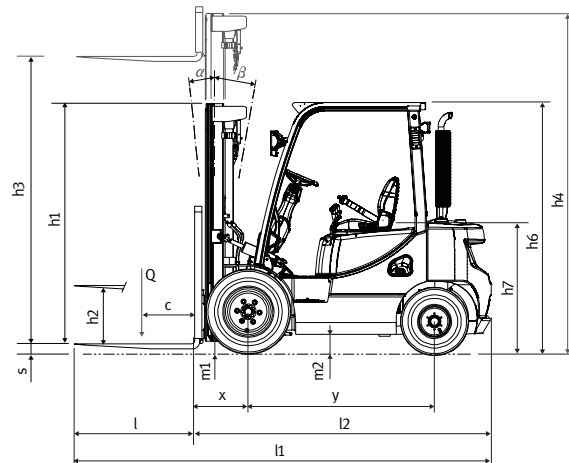
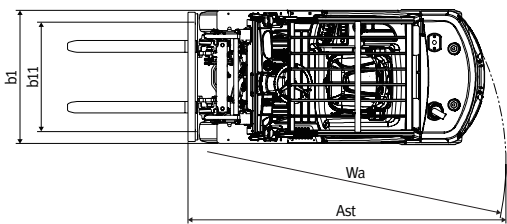
D25S-7/G25N-7/G25P-7

Mast type	Maximum Fork Height	Maximum Lowered Height	Fully Extended Height	Free Lift	Rated Load Capacities								
					D25S-7/G25N-7/G25P-7								
					Tilt Angle		Load Capacities						
					Single Pneu.		Double Pneu		Single Solid		Single Pneu.		Double Pneu
With Load Backrest	With Load Backrest	FWD	BWD	FWD	BWD	FWD	BWD	LC 500mm	LC 500mm	LC 500mm			
mm	mm	deg	deg	deg	deg	deg	deg	kg	kg	kg			
STD	2,030	1,575	3,290	147	6	10	6	10	6	10	2,500	2,500	2,500
	2,580	1,850	3,840	147	6	10	6	10	6	10	2,500	2,500	2,500
	2,950	2,035	4,210	147	6	10	6	10	6	10	2,500	2,500	2,500
	3,230	2,175	4,490	147	6	10	6	10	6	10	2,500	2,500	2,500
	3,500	2,425	4,765	147	6	10	6	10	6	10	2,500	2,500	2,500
	3,800	2,575	5,065	147	6	10	6	10	6	10	2,500	2,500	2,500
	3,950	2,650	5,215	147	6	10	6	10	6	10	2,500	2,500	2,500
4,350	2,850	5,615	147	6	5	6	10	6	10	2,500	2,500	2,500	
4,960	3,150	6,215	147	6	3	6	10	6	10	2,075	2,450	2,500	
FF	2,580	1,850	3,840	645	6	10	6	10	6	10	2,500	2,500	2,500
	2,950	2,035	4,210	830	6	10	6	10	6	10	2,500	2,500	2,500
	3,230	2,175	4,490	970	6	10	6	10	6	10	2,500	2,500	2,500
	3,600	2,425	4,865	1,220	6	10	6	10	6	10	2,500	2,500	2,500
FFT	3,900	1,900	5,165	695	6	8	6	8	6	8	2,500	2,500	2,500
	4,290	2,035	5,570	830	6	8	6	8	6	8	2,500	2,500	2,500
	4,730	2,175	5,990	970	6	3	6	8	6	8	2,450	2,500	2,500
	4,805	2,200	6,065	995	6	3	6	8	6	8	2,350	2,475	2,475
	5,560	2,525	6,815	1,320	6	3	6	8	6	5	1,525	2,325	2,400
	6,010	2,675	7,265	1,470	6	3	6	8	6	3	1,175	2,250	2,300

D30S-7/G30N-7/G30P-7

Mast type	Maximum Fork Height	Maximum Lowered Height	Fully Extended Height	Free Lift	Rated Load Capacities								
					D30S-7/G30N-7/G30P-7								
					Tilt Angle		Load Capacities						
					Single Pneu.		Double Pneu		Single Solid		Single Pneu.		Double Pneu
With Load Backrest	With Load Backrest	FWD	BWD	FWD	BWD	FWD	BWD	LC 500mm	LC 500mm	LC 500mm			
mm	mm	deg	deg	deg	deg	deg	deg	kg	kg	kg			
STD	2,030	1,565	3,290	152	6	10	6	10	6	10	3,000	3,000	3,000
	2,580	1,840	3,840	152	6	10	6	10	6	10	3,000	3,000	3,000
	2,950	2,025	4,210	152	6	10	6	10	6	10	3,000	3,000	3,000
	3,230	2,165	4,490	152	6	10	6	10	6	10	3,000	3,000	3,000
	3,500	2,415	4,765	152	6	10	6	10	6	10	3,000	3,000	3,000
	3,800	2,565	5,065	152	6	10	6	10	6	10	3,000	3,000	3,000
	3,950	2,640	5,215	152	6	10	6	10	6	10	3,000	3,000	3,000
4,350	2,840	5,615	152	6	5	6	10	6	10	3,000	3,000	3,000	
4,960	3,140	6,215	152	6	3	6	10	6	10	2,525	2,900	2,975	
FF	2,580	1,840	3,840	640	6	10	6	10	6	10	3,000	3,000	3,000
	2,950	2,025	4,210	825	6	10	6	10	6	10	3,000	3,000	3,000
	3,230	2,165	4,490	965	6	10	6	10	6	10	3,000	3,000	3,000
	3,600	2,415	4,865	1,215	6	10	6	10	6	10	3,000	3,000	3,000
FFT	3,900	1,890	5,165	690	6	8	6	8	6	8	2,900	2,900	2,900
	4,290	2,025	5,570	825	6	8	6	8	6	8	2,900	2,900	2,900
	4,730	2,165	5,990	965	6	3	6	8	6	8	2,900	2,900	2,900
	4,805	2,190	6,065	990	6	3	6	8	6	8	2,825	2,900	2,900
	5,560	2,515	6,815	1,315	6	3	6	8	6	5	1,850	2,750	2,825
	6,010	2,665	7,265	1,465	6	3	6	8	6	3	1,425	2,675	2,750

Note: These load capacities are based on the standard chassis without side shifter.



D33S-7/G33N-7/G33P-7

Mast type	Maximum Fork Height	Maximum Lowered Height	Fully Extended Height	Free Lift	Rated Load Capacities								
					D33S-7/G33N-7/G33P-7								
					Tilt Angle		Load Capacities						
					Single Pneu.		Double Pneu		Single Solid		Single Pneu.		Double Pneu
With Load Backrest	With Load Backrest	FWD	BWD	FWD	BWD	FWD	BWD	LC 500mm	LC 500mm	LC 500mm			
mm	mm	deg	deg	deg	deg	deg	deg	kg	kg	kg			
STD	2,030	1,565	3,290	152	6	10	6	10	6	10	3,250	3,250	3,250
	2,580	1,840	3,840	152	6	10	6	10	6	10	3,250	3,250	3,250
	2,950	2,025	4,210	152	6	10	6	10	6	10	3,250	3,250	3,250
	3,230	2,165	4,490	152	6	10	6	10	6	10	3,250	3,250	3,250
	3,500	2,415	4,765	152	6	10	6	10	6	10	3,250	3,250	3,250
	3,800	2,565	5,065	152	6	10	6	10	6	10	3,250	3,250	3,250
	3,950	2,640	5,215	152	6	10	6	10	6	10	3,175	3,250	3,250
4,350	2,840	5,615	152	6	5	6	10	6	10	3,175	3,250	3,250	
4,960	3,140	6,215	152	6	3	6	10	6	8	2,450	3,125	3,200	
FF	2,580	1,840	3,840	640	6	10	6	10	6	10	3,250	3,250	3,250
	2,950	2,025	4,210	825	6	10	6	10	6	10	3,250	3,250	3,250
	3,230	2,165	4,490	965	6	10	6	10	6	10	3,250	3,250	3,250
	3,600	2,415	4,865	1,215	6	10	6	10	6	10	3,250	3,250	3,250
FFT	3,900	1,890	5,165	690	6	8	6	8	6	8	3,250	3,250	3,250
	4,290	2,025	5,570	825	6	5	6	8	6	8	3,250	3,250	3,250
	4,730	2,165	5,990	965	6	3	6	8	6	8	2,900	3,175	3,250
	5,560	2,515	6,815	1,315	6	3	6	8	6	5	1,750	2,975	3,050
	6,010	2,665	7,265	1,465	6	3	6	8	6	3	1,350	2,875	2,950

D35C-7/G35NC-7/G35C-7

Mast type	Maximum Fork Height	Maximum Lowered Height	Fully Extended Height	Free Lift	Rated Load Capacities								
					D35S-7/G35NC-7/G35C-7								
					Tilt Angle		Load Capacities						
					Single Pneu.		Double Pneu		Single Solid		Single Pneu.		Double Pneu
With Load Backrest	With Load Backrest	FWD	BWD	FWD	BWD	FWD	BWD	LC 500mm					

Technical Data according to VDI 2198

Characteristics	1.1	Manufacturer			Doosan	Doosan	Doosan	
	1.2	Model			D20S-7	D25S-7	D30S-7	
	1.3	Drive			diesel	diesel	diesel	
	1.4	Operator type			seated	seated	seated	
	1.5	Load Capacity	Q	kg	2,000	2,500	3,000	
	1.6	Load Center	c	mm	500	500	500	
	1.8	Load Distance: Center of Drive axle to fork	x	mm	480	480	485	
	1.9	Wheelbase	y	mm	1,625	1,625	1,700	
	Weight	2.1	Service weight		kg	3,690	4,065	4,565
2.2		Axle Loading, loaded, front/rear		kg	4,965/725	5,695/870	6,575/990	
2.3		Axle Loading, unloaded, front/rear		kg	1,750/1,940	1,680/2,385	1,870/2,695	
Tyres	3.1	Tyres: pneumatic (P), solid (E)			P/E	P/E	P/E	
	3.2	Tyre size, Front			7.00X15-12	7.00X15-12	28X9X15-12	
	3.3	Tyre size, Rear			6.50X10-10	6.50X10-10	6.50X10-10	
	3.5	Wheels, number Front/Rear (x = driven wheels)			2x/2	2x/2	2x/2	
	3.6	Tread, Front	b11	mm	975	975	982	
	3.7	Tread, Rear	b12	mm	1,000	1,000	1,000	
	Dimensions	4.1	Tilt of Mast/Fork carriage Forward/Backward	α/β	°	6/10	6/10	6/10
4.2		Height, Mast lowered	h1	mm	2,175	2,175	2,165	
4.3		Free Lift	h2	mm	147	147	152	
4.4		Maximum Fork Height	h3	mm	3,230	3,230	3,230	
4.5		Height, Mast Extended	h4	mm	4,490	4,490	4,490	
4.7		Height of Overhead Guard (Cabin)	h6	mm	2,183	2,183	2,183	
4.8		Height of Seat	h7	mm	1,026	1,026	1,026	
4.19		Overall Length	l1	mm	3,565	3,630	3,744	
4.20		Length to Forkface	l2	mm	2,530	2,595	2,700	
4.21		Overall Width	b1/b2	mm	1,170	1,170	1,197	
4.22		Fork Dimensions	s/e/l	mm	40x100x1,050	40x100x1,050	45x125x1,050	
4.23		Fork carriage ISO 2328, class/type A.B			II/A	II/A	III/A	
4.24		Fork carriage width	b3	mm	1,103	1,103	1,115	
4.31		Ground Clearance, loaded, below mast	m1	mm	115	115	105	
4.32		Ground Clearance, center of wheelbase	m2	mm	143	143	143	
4.34.1		Aisle width for pallets 1.000 x 1.200 crossways	Ast	mm	3,900	3,945	4,050	
4.34.2		Aisle width for pallets 800 x 1.200 lengthways	Ast	mm	4,100	4,145	4,250	
4.35		External Turning Radius	Wa	mm	2,220	2,265	2,365	
4.36		Internal Turning Radius	b13	mm	775	775	761	
Performance data		5.1	Travel Speed, loaded/unloaded		km/h	21/22	19/19.5	20/21
		5.2	Lift Speed, loaded/unloaded		m/s	0.53/0.58	0.53/0.55	0.51/0.58
	5.3	Lowering Speed, loaded/unloaded		m/s	0.50/0.45	0.51/0.46	0.50/0.45	
	5.5	Drawbar pull, loaded/unloaded (@ 1.6km/h)		N	17,540/17,250	17,350/17,130	17,540/17,410	
	5.6	Max. Drawbar pull, loaded/unloaded		N	19,580/19,130	20,100/19,780	19,610/19,330	
	5.7	Gradeability, loaded/unloaded (@ 1.6km/h)		%	33.0/54.4	33.0/55.0	28.0/48.6	
	5.8	Max. Gradeability, loaded/unloaded		%	37.5/62.3	38.5/66.5	30.4/53.3	
	5.10	Service Brake			foot/hydraulic	foot/hydraulic	foot/hydraulic	
	Combustion Engine	7.1	Engine Manufacturer/type			Doosan/D24NAP	YANMAR/4TNE94L	Doosan/D24NAP
		7.2	Engine power according to DIN ISO1585		kW	46	35.3	46
7.3		Rated Speed		min-1	2,200	2,200	2,200	
7.3.1		Torque at 1/min		Nm/rpm	262/1,600	91/1,600	262/1,600	
7.4		Number of Cylinders/Displacement		-/cm ³	4/2,392	4/3,319	4/2,392	
7.10		Battery Voltage/normal capacity		V/Ah	12/85	12/85	12/85	
Addition Data		10.1	Operating pressure for attachments		bar	156	156	156
	10.2	Oil flow for attachments		l/min	60	60	60	
	10.4	Fuel Tank Capacity		l	51	51	51	
	10.7	Sound level at the driver's ear according to EN 12 053		dB(A)	80	84	80	

Characteristics	1.1	Manufacturer			Doosan	Doosan	Doosan	
	1.2	Model			D33S-7	D35C-7	G20N-7	
	1.3	Drive			diesel	diesel	LPG	
	1.4	Operator type			seated	seated	seated	
	1.5	Load Capacity			3,250	3,500	2,000	
	1.6	Load Center			500	500	500	
	1.8	Load Distance: Center of Drive axle to fork			485	495	480	
	1.9	Wheelbase			1,700	1,700	1,625	
	Weight	2.1	Service weight		kg	4,750	4,915	3,635
2.2		Axle Loading, loaded, front/rear		kg	6,960/1,040	7,355/1,060	4,915/720	
2.3		Axle Loading, unloaded, front/rear		kg	1,825/2,925	1,805/3,110	1,725/1,910	
Tyres	3.1	Tyres: pneumatic (P), solid (E)			P/E	P/E	P/E	
	3.2	Tyre size, Front			28X9X15-12	250X15-18	7.00X15-12	
	3.3	Tyre size, Rear			6.50X10-12	6.50X10-12	6.50X10-10	
	3.5	Wheels, number Front/Rear (x = driven wheels)			2x/2	2x/2	2x/2	
	3.6	Tread, Front			982	1,026	975	
	3.7	Tread, Rear			1,000	1,000	1,000	
	4.1	Tilt of Mast/Fork carriage Forward/Backward			6/10	6/10	6/10	
Dimensions	4.2	Height, Mast lowered		mm	2,165	2,165	2,175	
	4.3	Free Lift		mm	152	147	152	
	4.4	Maximum Fork Height		mm	3,230	3,000	3,230	
	4.5	Height, Mast Extended		mm	4,490	4,260	4,490	
	4.7	Height of Overhead Guard (Cabin)		mm	2,183	2,183	2,183	
	4.8	Height of Seat		mm	1,026	1,026	1,026	
	4.19	Overall Length		mm	3,774	3,809	3,565	
	4.20	Length to Forkface		mm	2,730	2,765	2,530	
	4.21	Overall Width		mm	1,197	1,255	1,170	
	4.22	Fork Dimensions		mm	45x125x1,050	45x125x1,050	45x100x1,000	
	4.23	Fork carriage ISO 2328, class/type A.B			III/A	III/A	II/A	
	4.24	Fork carriage width		mm	1,115	1,115	1,103	
	4.31	Ground Clearance, loaded, below mast		mm	105	105	115	
	4.32	Ground Clearance, center of wheelbase		mm	143	143	143	
	4.34.1	Aisle width for pallets 1.000 x 1.200 crossways		mm	4,080	4,115	3,900	
	4.34.2	Aisle width for pallets 800 x 1.200 lengthways		mm	4,280	4,315	4,100	
	4.35	External Turning Radius		mm	2,395	2,420	2,220	
	4.36	Internal Turning Radius		mm	761	761	775	
	Performance data	5.1	Travel Speed, loaded/unloaded		km/h	20/21	18/18.5	20/21
		5.2	Lift Speed, loaded/unloaded		m/s	0.48/0.54	0.49/0.55	0.47/0.54
		5.3	Lowering Speed, loaded/unloaded		m/s	0.50/0.45	0.51/0.46	0.51/0.46
5.5		Drawbar pull, loaded/unloaded (@ 1.6km/h)		N	18,130/17,870	17,870/17,720	17,440/17,220	
5.6		Max. Drawbar pull, loaded/unloaded		N	20,410/19,910	20,990/20,650	19,630/19,130	
5.7		Gradeability, loaded/unloaded (@ 1.6km/h)		%	24.0/41.6	23.5/42.5	22.0/39.1	
5.8		Max. Gradeability, loaded/unloaded		%	27.0/47.3	27.5/50.5	24.8/44.2	
5.10		Service Brake			foot/hydraulic	foot/hydraulic	foot/hydraulic	
Combustion Engine		7.1	Engine Manufacturer/type			Doosan/D24NAP	YANMAR/4TNE94L	Doosan/D24NAP
		7.2	Engine power according to DIN ISO1585		kW	46	35.3	46
	7.3	Rated Speed		min-1	2,200	2,200	2,200	
	7.3.1	Torque at 1/min		Nm/rpm	262/1,600	167/1,500	262/1,600	
	7.4	Number of Cylinders/Displacement		-/cm ³	4/2,392	4/3,319	4/2,392	
	7.10	Battery Voltage/normal capacity		V/Ah	12/85	12/85	12/50	
	Addition Data	10.1	Operating pressure for attachments		bar	156	156	156
10.2		Oil flow for attachments		l/min	60	60	60	
10.4		Fuel Tank Capacity		l	51	51	51	
10.7		Sound level at the driver's ear according to EN 12 053		dB(A)	80	84	84	

Characteristics	1.1	Manufacturer			Doosan	Doosan	Doosan	
	1.2	Model			G20P-7	G25P-7	G30P-7	
	1.3	Drive			LPG	LPG	LPG	
	1.4	Operator type			seated	seated	seated	
	1.5	Load Capacity	Q	kg	2,000	2,500	3,000	
	1.6	Load Center	c	mm	500	500	500	
	1.8	Load Distance: Center of Drive axle to fork	x	mm	480	480	485	
	1.9	Wheelbase	y	mm	1,625	1,625	1,700	
	Weight	2.1	Service weight		kg	3,620	3,990	4,430
2.2		Axle Loading, loaded, front/rear		kg	4,980/640	5,710/780	6,580/850	
2.3		Axle Loading, unloaded, front/rear		kg	1,750/1,860	1,680/2,310	1,830/2,600	
Tyres	3.1	Tyres: pneumatic (P), solid (E)			P/E	P/E	P/E	
	3.2	Tyre size, Front			7.00X15-12	7.00X15-12	28X9X15-12	
	3.3	Tyre size, Rear			6.50X10-10	6.50X10-10	6.50X10-10	
	3.5	Wheels, number Front/Rear (x = driven wheels)			2x/2	2x/2	2x/2	
	3.6	Tread, Front	b11	mm	975	975	982	
	3.7	Tread, Rear	b12	mm	1,000	1,000	1,000	
	4.1	Tilt of Mast/Fork carriage Forward/Backward	α/β	°	6/10	6/10	6/10	
Dimensions	4.2	Height, Mast lowered	h1	mm	2,175	2,175	2,165	
	4.3	Free Lift	h2	mm	147	147	152	
	4.4	Lift	h3	mm	3,230	3,230	3,230	
	4.5	Height, Mast Extended	h4	mm	4,490	4,490	4,490	
	4.7	Height of Overhead Guard (Cabin)	h6	mm	2,183	2,183	2,183	
	4.8	Height of Seat	h7	mm	1,026	1,026	1,026	
	4.19	Overall Length	l1	mm	3,565	3,630	3,744	
	4.20	Length to Forkface	l2	mm	2,530	2,595	2,700	
	4.21	Overall Width	b1/b2	mm	1,170	1,170	1,197	
	4.22	Fork Dimensions	s/e/l	mm	40x100x1,050	40x100x1,050	40x100x1,050	
	4.23	Fork carriage ISO 2328, class/type A.B			II/A	II/A	III/A	
	4.24	Fork carriage width	b3	mm	1,103	1,103	1,115	
	4.31	Ground Clearance, loaded, below mast	m1	mm	115	115	115	
	4.32	Ground Clearance, center of wheelbase	m2	mm	143	143	143	
	4.34.1	Aisle width for pallets 1.000 x 1.200 crossways	Ast	mm	3,900	3,945	4,050	
	4.34.2	Aisle width for pallets 800 x 1.200 lengthways	Ast	mm	4,100	4,145	4,250	
	4.35	External Turning Radius	Wa	mm	2,220	2,265	2,365	
	4.36	Internal Turning Radius	b13	mm	775	775	761	
	Performance data	5.1	Travel Speed, loaded/unloaded		km/h	19/19.5	19/19.5	18/18.5
		5.2	Lift Speed, loaded/unloaded		m/s	0.57/0.61	0.56/0.61	0.55/0.61
		5.3	Lowering Speed, loaded/unloaded		m/s	0.51/0.46	0.51/0.46	0.51/0.46
5.5		Drawbar pull, loaded/unloaded (@ 1.6km/h)		N	15,810/15,640	15,600/15,570	16,220/16,120	
5.6		Max. Drawbar pull, loaded/unloaded		N	18,260/17,880	18,050/17,810	18,970/18,580	
5.7		Gradeability, loaded/unloaded (@ 1.6km/h)		%	30.5/50.5	25.5/44.0	23.0/40.5	
5.8		Max. Gradeability, loaded/unloaded		%	35.5/59.5	30.0/52.0	27.0/48.0	
5.10		Service Brake			foot/hydraulic	foot/hydraulic	foot/hydraulic	
Combustion Engine		7.1	Engine Manufacturer/type			MITSU/G424P(E)	MITSU/G424P(E)	MITSU/G424P(E)
		7.2	Engine power according to DIN ISO1585		kW	49	49	49
	7.3	Rated Speed		min-1	2,600	2,600	2,600	
	7.3.1	Torque at 1/min		Nm/rpm	183/2,000	183/2,000	183/2,000	
	7.4	Number of Cylinders/Displacement		-/cm ³	4/2,351	4/2,351	4/2,351	
	7.10	Battery Voltage/normal capacity		V/Ah	12/65	12/65	12/65	
	Addition Data	10.1	Operating pressure for attachments		bar	156	156	156